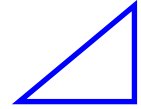


Aviation Ground Fuelling Solutions



Fuelling products

Hydrant Pit Box

Distance Ring & Bolts



We develop creative, comprehensive and sustainable engineering solutions for a future where customers can thrive.

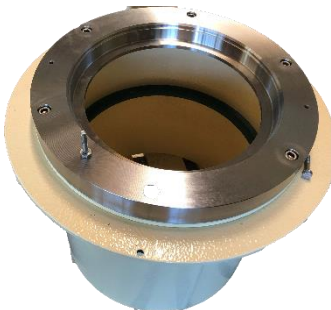
Equipped with an intimate understanding of local intricacies, world-class talent and proactive leadership, we design in close cooperation with our customers modular, flexible start to the art ground fueling equipment.

Benefits

- The Distance Rings are available in standard dimensions
- Installation Kit with stud bolts, nuts, sleeves and seals available.
- Tested with 24 bar
- Independently certified with 3.2 certificate

Additional Features

- Design easily customized for specific applications
- Accepts all valves meeting IP & API recommendations
- Seal for ease of maintenance



Key Features

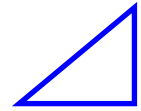
- Design: AD2000 ASME
- Material: 1.4301
- Mechanical work: all sides lathed
- Test: Water pressure with 24bar
- Certificates: Distance Ring 3.2 Stud bolts 3.1
- API/IP - 1584
- EI - 1540
- EI - 1542
- AIR BP REF: Mech 30

Optional

- Seal Flat 6" RF 300lbs
- Stud Bolts M20 - DIN 939
- Nut M20 - DIN 934
- Sleeve 21x37x3 DIN 125

AMEC-EUROPE LTD.

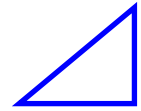
Aviation Ground Fuelling Solutions



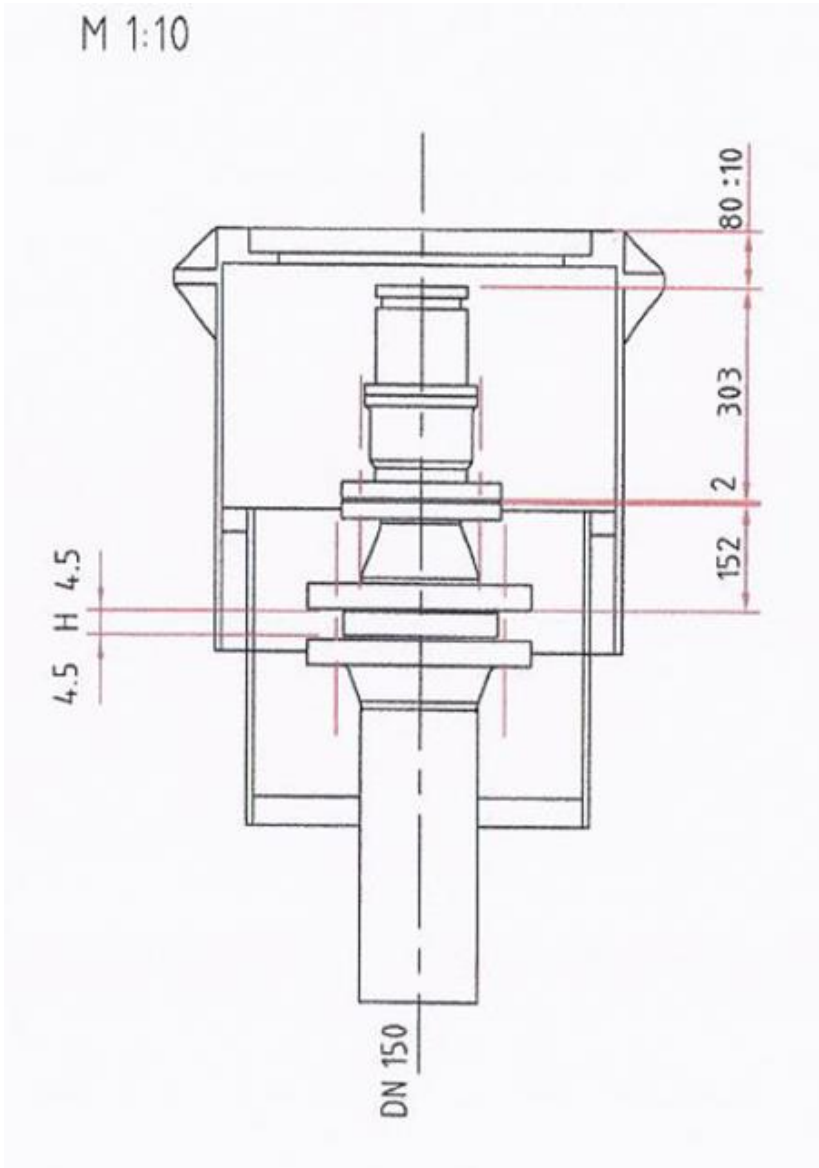
Technical details

| High Distance Ring [mm] | Lengh Stud bold M20 [mm] | Qty | Material | Norn |
|-------------------------|--------------------------|-----|----------|---------|
| 10 | 100 | 12 | A2-70 | DIN 938 |
| 15 | 110 | 12 | A2-70 | DIN 938 |
| 20 | 110 | 12 | A2-70 | DIN 938 |
| 25 | 120 | 12 | A2-70 | DIN 938 |
| 30 | 120 | 12 | A2-70 | DIN 938 |
| 35 | 130 | 12 | A2-70 | DIN 938 |
| 40 | 130 | 12 | A2-70 | DIN 938 |
| 45 | 140 | 12 | A2-70 | DIN 938 |
| 50 | 140 | 12 | A2-70 | DIN 938 |
| 55 | 150 | 12 | A2-70 | DIN 938 |
| 60 | 150 | 12 | A2-70 | DIN 938 |

AMEC-EUROPE LTD.



Dimensions & Schematic view



Distance Ring

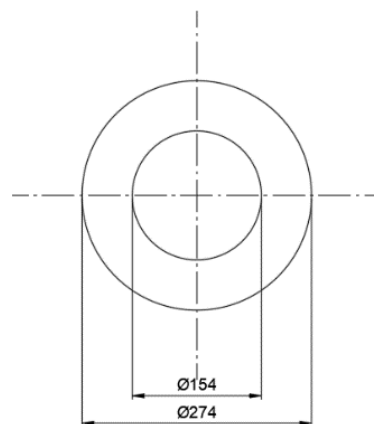
Design: AD2000; ASME

Material: 1.4301

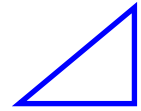
Mechanical work: all sides lathed

Test: Water pressure with 24bar

Certificates: Distance Ring 3.2; Stud bolts 3.1



Aviation Ground Fuelling Solutions



Accessories

- Seal Flat 6" RF 300lbs
- Stud Bolts M20 - DIN 939 (1.25D)
- Material: 1.4301
- Nut M20 - DIN 934 - Material: 1.4301
- Sleeve 21x37x3 - DIN 125
- Material: 1.4301

Other hydrant pit products

- AMEC Pit Box
 - WL4354-01-AM
 - WL5225-01-AM
 - WL6000-01-AM
 - WL7900-01-AM
 - WL3640-01-AM
 - WL4354-01-AM-S
 - WL5225-01-AM-S
- AMEC High-Low Point
 - WL4231-01-AM
- AMEC Accessory
 - Distance Ring
 - WL6000-01-AM Raising/Elevation Ring
- CLA-VAL
 - Hydrant Pit Valve
 - Hydrant Isolation Valve
- Rolling Cover Pit Assembly
- AMEC Consulting Service
 - EPC – EPCM
 - Project Management

Global Network

Africa

Spain



Cetil Dispensing Technology, S.L.
Calle Pelaya, 37, P.I. Rio de Janeiro
28110 - Algete (Madrid) - España
Tel.: +34 916 287 651
Fax: +34 916 287 653
cetil@cetil.com | www.cetil.com

Asia



FLOWCO ASIA PACIFIC (PTE) LTD
Mailing Address: Tampines Central P.O. Box 0266 Singapore 915209
3018 Bedok North St 5 #01-21 EASTLINK Singapore 486132
Tel: (65) 6542 4707 Fax: (65) 6542 4702 Email: Flowco@singnet.com.sg

India

AMEC-EUROPE LTD.

Administration – Management – Education – Consulting

Post Box India

c/o Nasar Hussain - #107 - 108, JN Complex - Above KFC Gunfoundry
Abids - 500001 - Hyderabad - Telangana - India
Mobil +91 86699 913 16 – E-Mail nhussain@amec-europe.com - www.agfs.aero

Manufacturer



www.krause-gussprodukte.de



Please contact our sales for further
Information at www.agfs.aero.com

Note: specifications are subject to change without notice.

AMEC-EUROPE LTD.